

4T

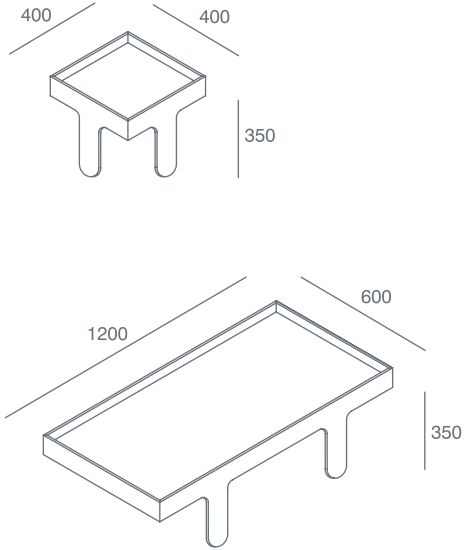
Dati tecnici | Technical data

Tavolino basso con struttura in vetro sp. 10 mm temperato extrachiaro trasparente o acidato. Piano in vetro sp. 10 mm temperato extrachiaro trasparente, extrachiaro laccato, specchiato o con finiture da catalogo Krios.

Low small table with glass structure, 10 mm thick, tempered transparent extra-light or acid-etched glass. Glass top, 10 mm thick, tempered transparent extra-light, lacquered extra-light, mirrored glass, or with finishes available in the Krios catalogue.

Disegni tecnici | Technical drawing

Quote espresse in mm | Measures expressed in mm



Vetri | Glass

	Extrachiaro Extra-light	Extrachiaro acidato Acid-etched Extra-light	Laccato Lacquered	Specchio Mirror	Texture Textures
Piano Top	•	•	•	•	•
Stuttura Structure	•	•			

Colori vetri | Glass colors



Bianco
White



Nero
Black



Rosso chiaro
Light red



Specchio
Mirror



Colori Krios
Krios Colors

Texture | Textures



T10

krios